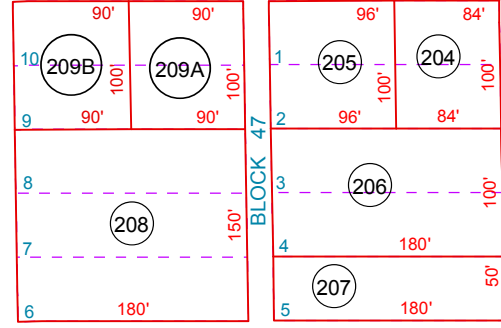
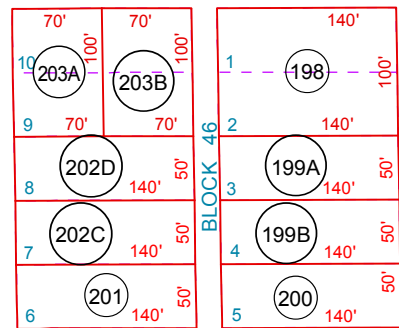
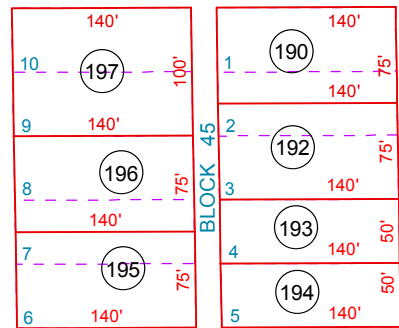
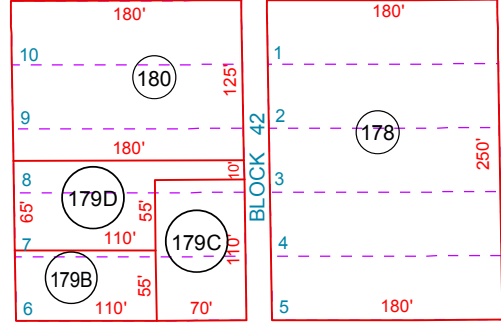
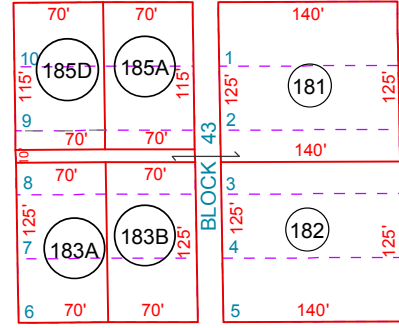
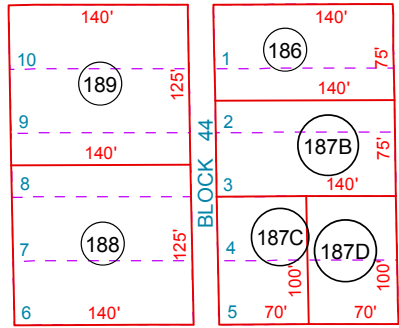


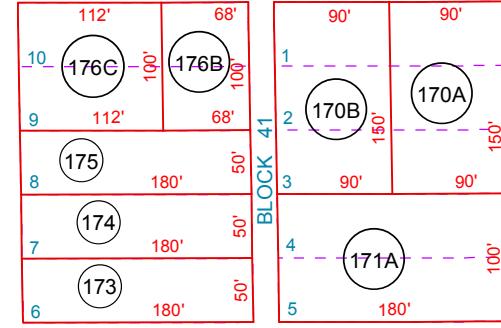
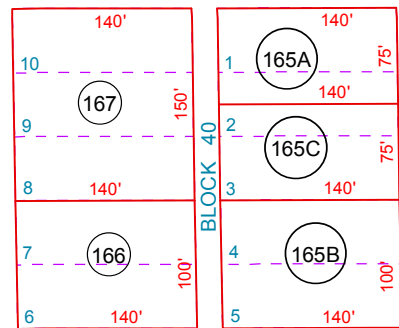
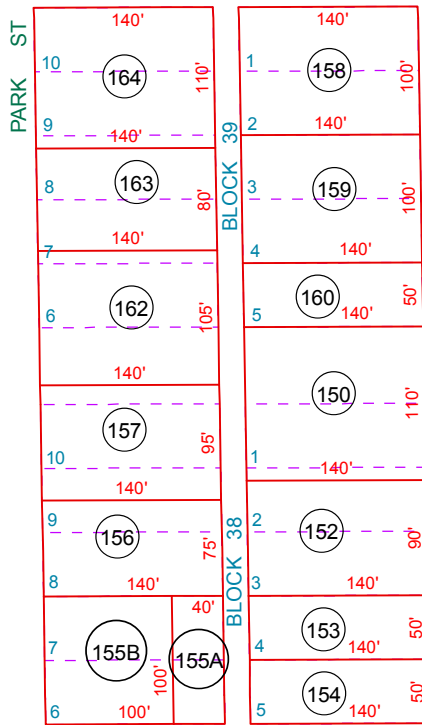
SEE MAP 202-03_4



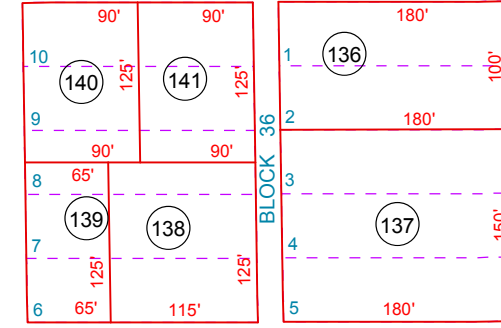
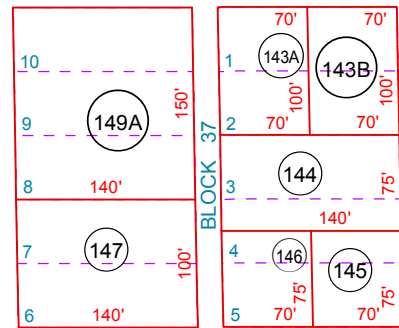
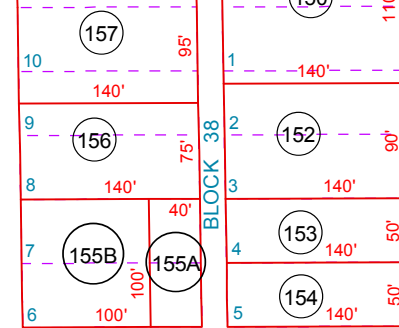
VIRGINIA ST



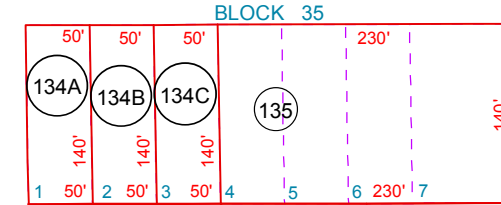
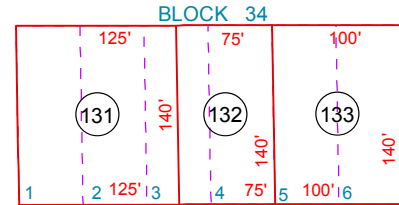
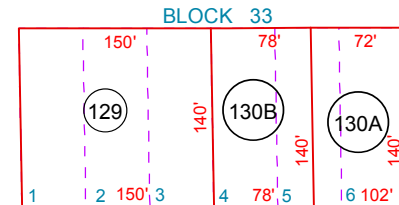
FELIZ ST



GRESSINGER ST



ELLIOT ST



STEWART ST

SEE MAP 202-04_1

SEE MAP 202-03_2

SAN CARLOS ST

DESOTO ST

STATE HIGHWAY 79

PINAL PARKWAY

SEE MAP 202-02

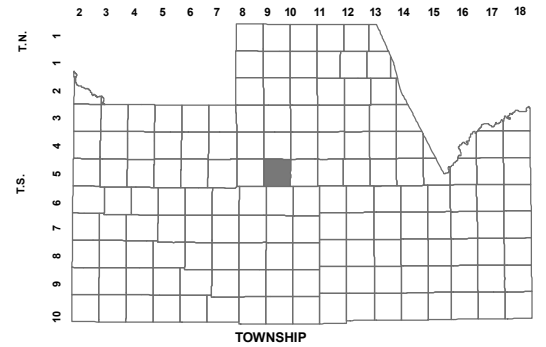
BOOK - MAP

202-03_3

SENW SEC. 1 T.05S. R.09E.

DOUGLAS ADDITION: BOOK 1 - PAGE 4

LOCATION MAPS
R.E.



6	5	4	3	2	1
7	8	9	10	11	12
18	17	16	15	14	13
19	20	21	22	23	24
30	29	28	27	26	25
31	32	33	34	35	36

SECTION



Revised: 05/11/2011

By: MBG



PINAL COUNTY
wide open opportunity

Pinal County Assessor

THIS MAP DOES NOT REPRESENT A SURVEY. NO LIABILITY IS ASSUMED FOR THE ACCURACY OF THE DATA DELINEATED HEREIN, EITHER EXPRESSED OR IMPLIED BY PINAL COUNTY OR ITS EMPLOYEES. THIS MAP IS COMPILED FROM OFFICIAL RECORDS, INCLUDING PLATS, SURVEYS, RECORDED DEEDS AND CONTRACTS, AND ONLY CONTAINS INFORMATION REQUIRED FOR THE PINAL COUNTY ASSESSOR'S OFFICE PURPOSES.